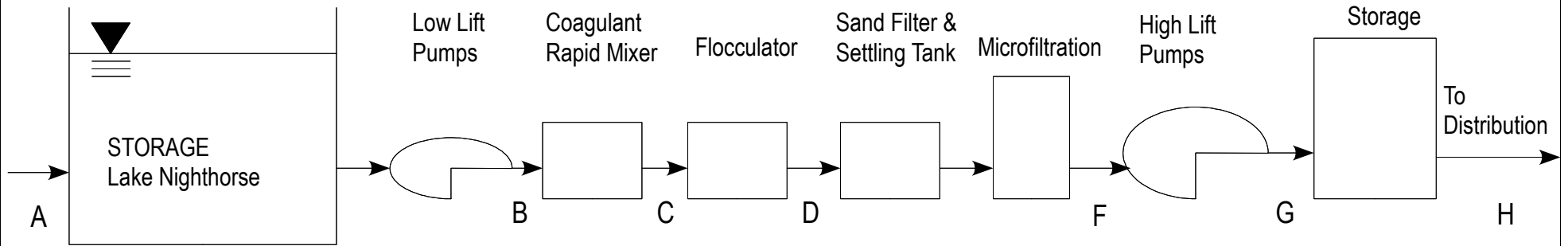
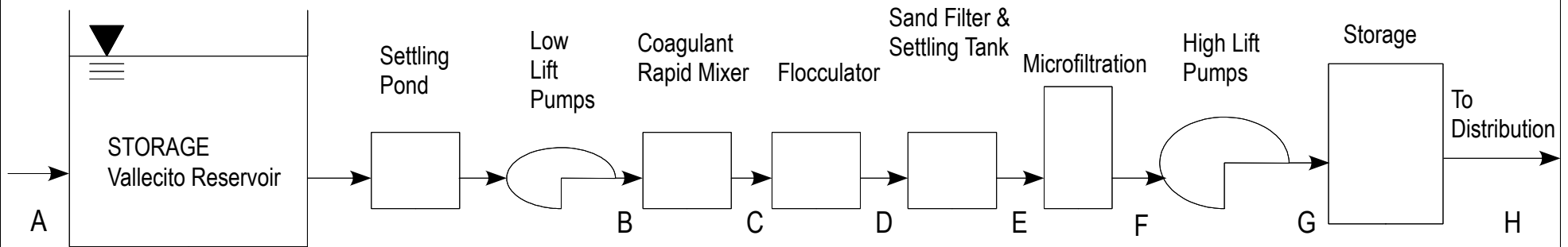


ALP Site

La Plata Archuleta Water District  
Treatment Train Schematic



Bayfield Site



Possible Points of Application

Category of Chemicals	A	B	C	D	E	F	G	H
Algicide	x				x			
Disinfection		x	x		x	x	x	x
Activated Carbon		x	x	x	x			
Coagulants/Aids		x	x		x			
Alkali								
for flocculation or softening			x					
for corrosion control						x		
Acidifier			x			x		
Fluoride						x		

<p>Master Plan FIGURE EIGHT</p>	
<p>For: LAPLAWD</p>	<p>Date: November 2009</p>
<p>Harris Water Engineering, Inc. File: Z://Projects/LAPLAWD/Master Plan/Figure Egiht.odg</p>	